

T24 5A output split core CTs

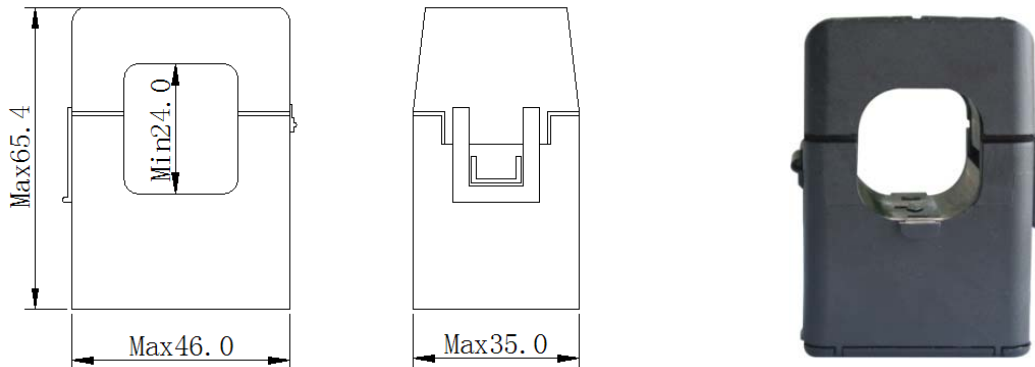
一、SPECIFICATIONS:

- 1、Standard : GB1208 and IEC60044-1
- 2、Rated Voltage: 0.66KV;
- 3、Insulation Voltage: 2KV;
- 4、Rated Frequency: 50H or 60HZ;
- 5、Operating Temperature: -15°C to 45°C。
- 6、Certificates: CE

二、FEATURES: :

- 1、Small cost
- 2、Split core design ,Easier installation
- 3、1A or 5A at secondary output

三、DIMENSIONS(mm):



四、PARAMETERS:

1、Output:5A

Model	Input (A)	Output (A)	Overload current (A)	Accuracy (5%-120%)	
				F(I)%	δ (I)°
SCT0024-100A/5A	100	5	160	≤1.5%	≤1.5°
SCT0024-150A/5A	150	5	240	≤1%	≤1°
SCT0024-200A/5A	200	5	320	≤1%	≤0.5°
SCT0024-250A/5A	250	5	420	≤1%	≤0.5°

2、Output:1A

Model	Input (A)	Output (A)	Overload current (A)	Accuracy (5%-120%)	
				F(I)%	δ (I)°
SCT0024-100A/1A	100	1	300	≤1.5%	≤0.5°
SCT0024-200A/1A	200	1	600	≤1%	≤0.5°
SCT0024-300A/1A	300	1	800	≤0.5%	≤0.2°

五、CURVE PERFORMANCE:

